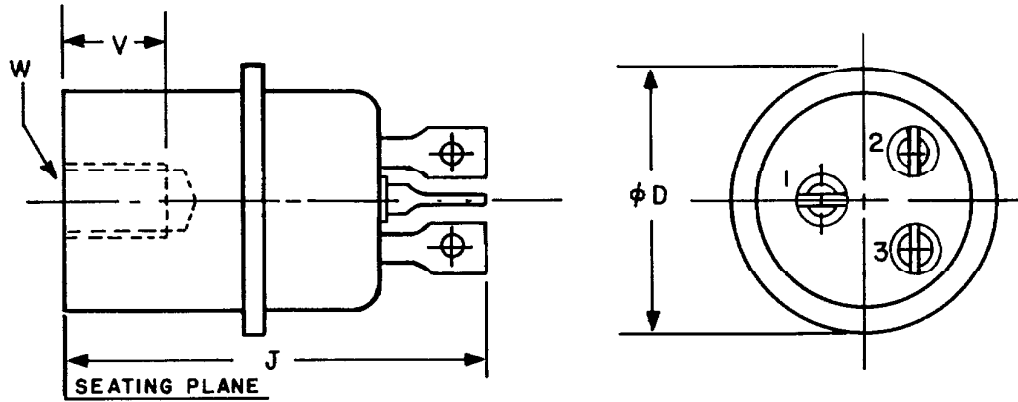


TO-13



SYMBOL	INCHES		MILLIMETERS		NOTES
	MIN.	MAX.	MIN.	MAX.	
ØD		.650		16.51	
J		1.040		26.42	
V	.250		6.35		
W					1

NOTES:

1. 1/4-28 UNF-2B.

THIS OUTLINE DOES NOT MEET THE MINIMUM CRITERIA ESTABLISHED BY JS-10 FOR REGISTRATION.