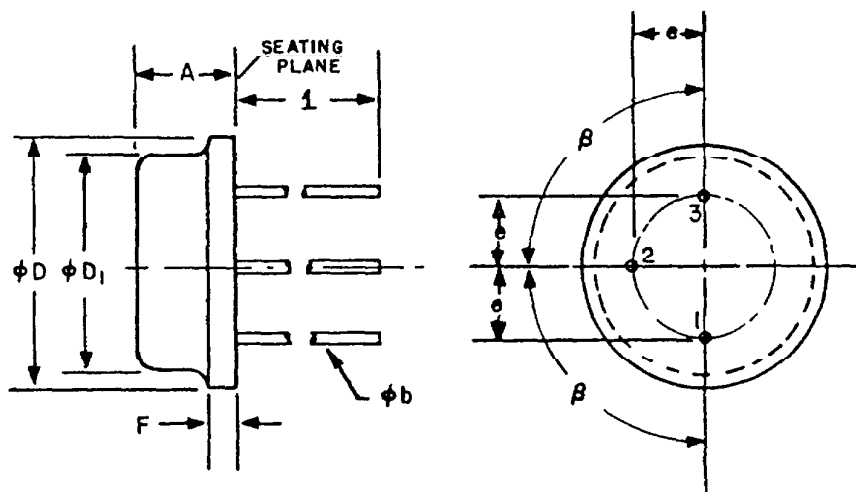


T0-8



SYMBOL	INCHES		MILLIMETERS		NOTES
	MIN.	MAX.	MIN.	MAX.	
A	.270	.330	6.86	8.38	
φb	.027	.033	.686	.838	1
φD	.550	.650	13.97	16.51	
φD ₁	.444	.524	11.28	13.31	
e	.136	.146	3.45	3.71	
F		.115		2.92	
1	.360	.440	9.14	11.18	1
β	90° NOMINAL				

NOTES:

1. THREE LEADS.

THIS OUTLINE DOES NOT MEET THE MINIMUM CRITERIA ESTABLISHED BY JS-10 FOR REGISTRATION.

4.6.4