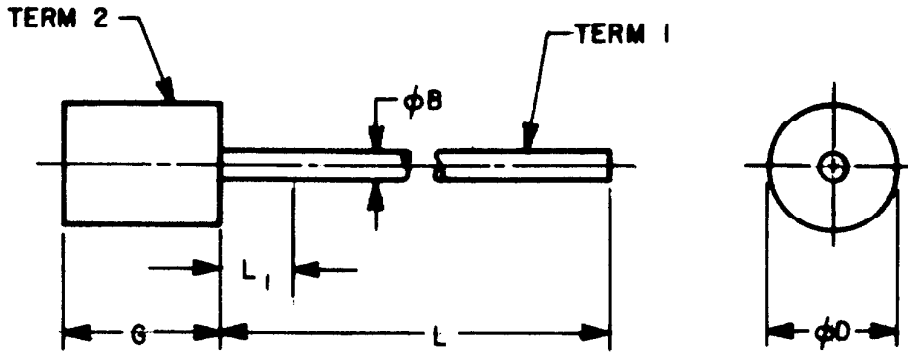


DO - 45



MILLIMETER DIMENSIONS ARE DERIVED FROM ORIGINAL INCH DIMENSIONS

SYMBOL	INCHES		MILLIMETERS		NOTES
	MIN.	MAX.	MIN.	MAX.	
ϕB	.016	.021	.407	.533	-
ϕD	.076	.084	1.931	2.133	-
G	.077	.089	1.96	2.26	-
L	.400	-	10.16	-	-
L_1	-	.050	-	1.27	1

NOTES:

1. LEAD DIAMETER NOT CONTROLLED IN THIS ZONE TO ALLOW FOR FLASH, LEAD FINISH BUILD-UP, AND MINOR IRREGULARITIES OTHER THAN SLUGS.

ITEM NO. 242F

JEDEC PUBLICATION	OUTLINE DO - 45	ISSUE A	DATE JUNE 1968
REGISTERED OUTLINES FOR SEMICONDUCTOR DEVICES			