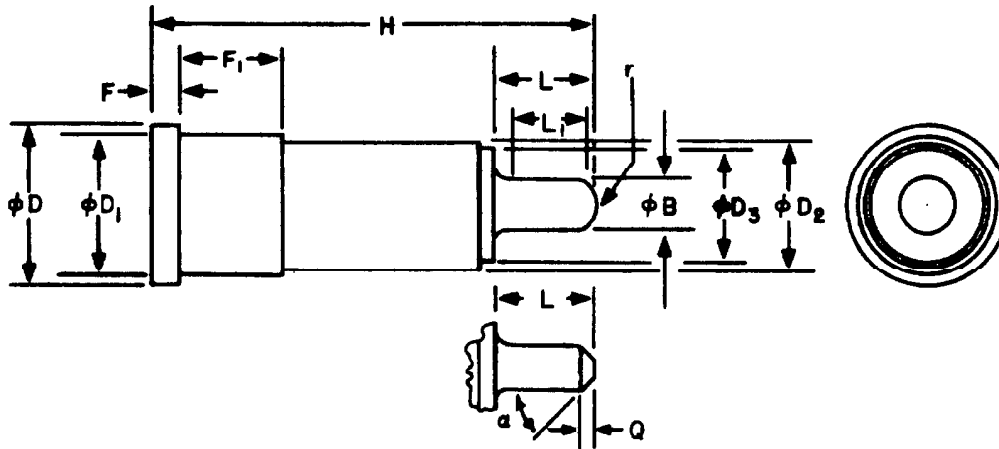


# DO-22



SYMBOL	INCHES		MILLIMETERS		NOTES
	MIN.	MAX.	MIN.	MAX.	
$\phi B$	.092	.094	2.336	2.387	
$\phi D$	.292	.296	7.417	7.618	
$\phi D_1$	.246	.250	6.248	6.350	
$\phi D_2$		.240		6.096	
$\phi D_3$	.195	.225	4.953	5.715	
$F_1$	.193	.199	4.902	5.054	
$F$	.047	.057	1.194	1.448	
$H$	.800	.840	20.32	21.34	
$L$	.180	.190	4.572	4.826	
$L_1$	.125		3.175		2
$r$	.030	.046	0.762	1.168	1
$\alpha$	10°	45°	10°	45°	1
$Q$	.010	.030	0.254	0.762	1

**NOTES:**

1. CHAMFER OR RADIUS PERMISSIBLE.
2. MINIMUM STRAIGHT LENGTH.