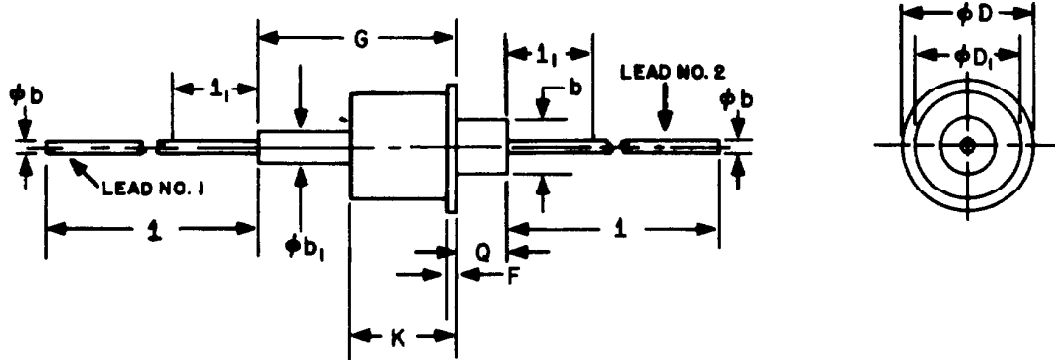


DO-6



SYMBOL	INCHES		MILLIMETERS		NOTES
	MIN.	MAX.	MIN.	MAX.	
b		.095		2.41	
ϕb	.019	.022	0.48	0.56	
ϕb_1		.035		0.89	
ϕD	.172	.188	4.37	4.78	
ϕD_1	.148	.156	3.76	3.96	
F		.026		0.66	
G		.300		7.62	
K		.155		3.94	
l	1.500		38.10		
l_1		.125		3.18	1
Q		.165		4.19	

NOTES:

- LEAD DIAMETER UNCONTROLLED IN THIS AREA TO ALLOW FOR LEAD FINISHES AND IRREGULARITIES.