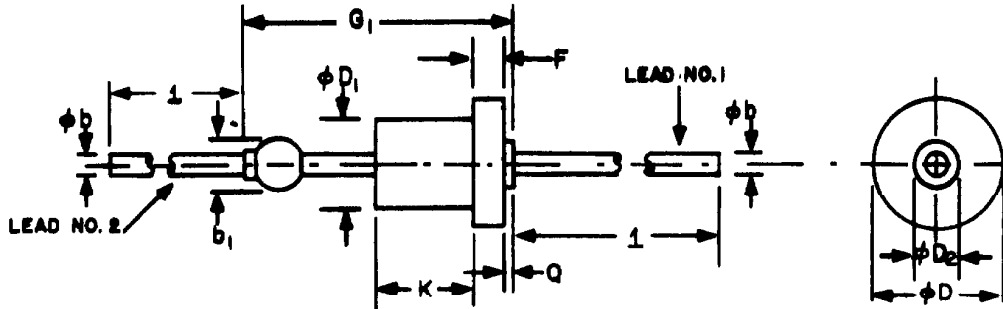


DO-1



SYMBOL	INCHES		MILLIMETERS		NOTES
	MIN.	MAX.	MIN.	MAX.	
ϕb	.027	.035	0.69	0.89	2
b_1		.125		3.18	1
ϕD	.360	.400	9.14	10.16	
ϕD_1	.245	.280	6.22	7.11	
ϕD_2		.200		5.08	
F		.075		1.91	
G_1		.725		18.42	
K	.220	.260	5.59	6.60	
l	1.000	1.625	25.40	41.28	
Q		.025		0.64	

NOTES:

1. DIMENSION TO ALLOW FOR PINCH OR SEAL DEFORMATION ANYWHERE ALONG TUBULATION (OPTIONAL).
2. DIAMETER TO BE CONTROLLED FROM FREE END OF LEAD TO WITHIN .188" (4.78 MM) FROM THE POINT OF ATTACHMENT TO THE BODY. WITHIN THE .188" (4.78 MM) DIMENSION, THE DIAMETER MAY VARY TO ALLOW FOR LEAD FINISHES AND IRREGULARITIES.

EIA-NEMA STANDARD OUTLINE, NEMA SK-51 - EIA RS-241.